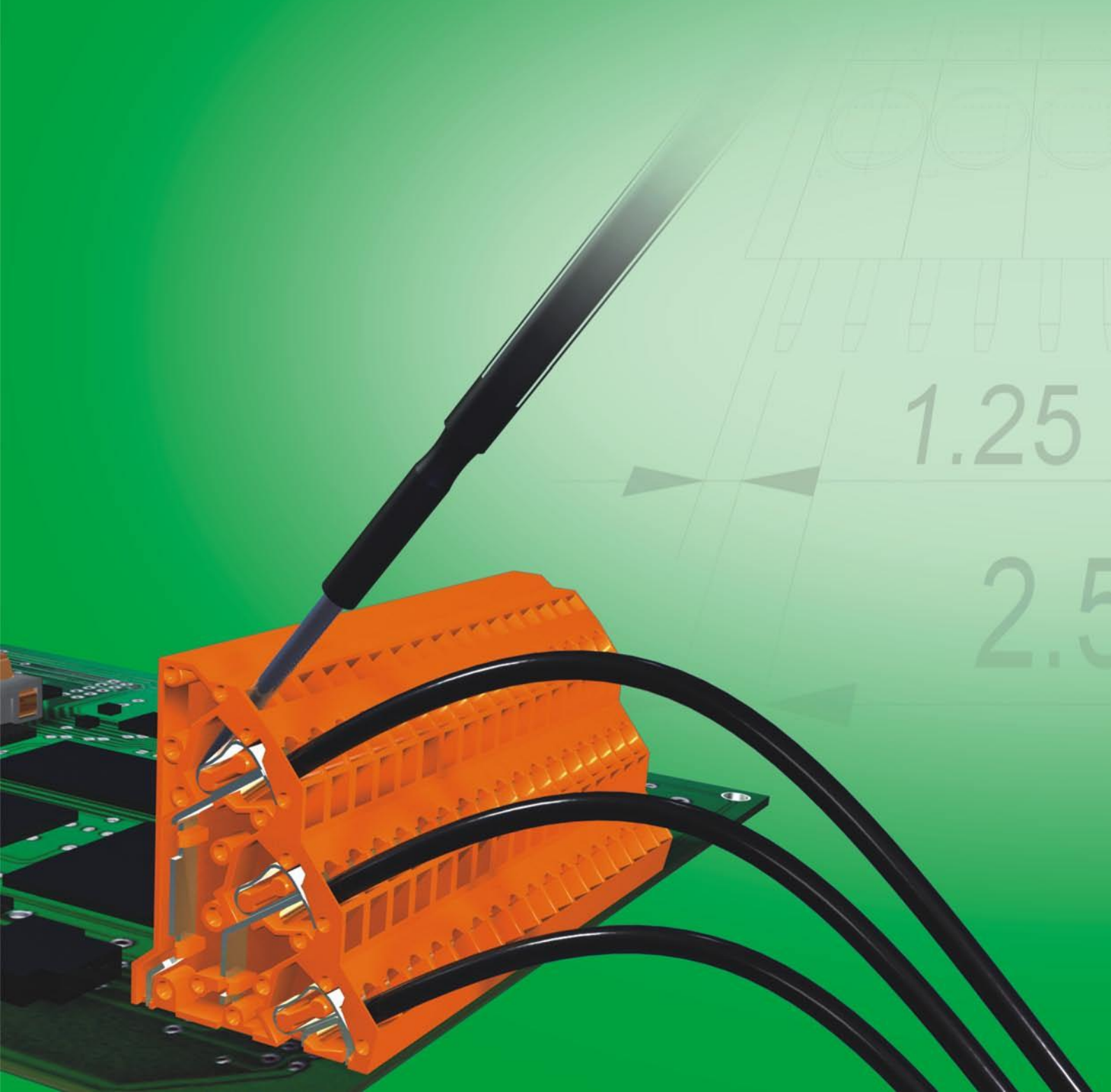
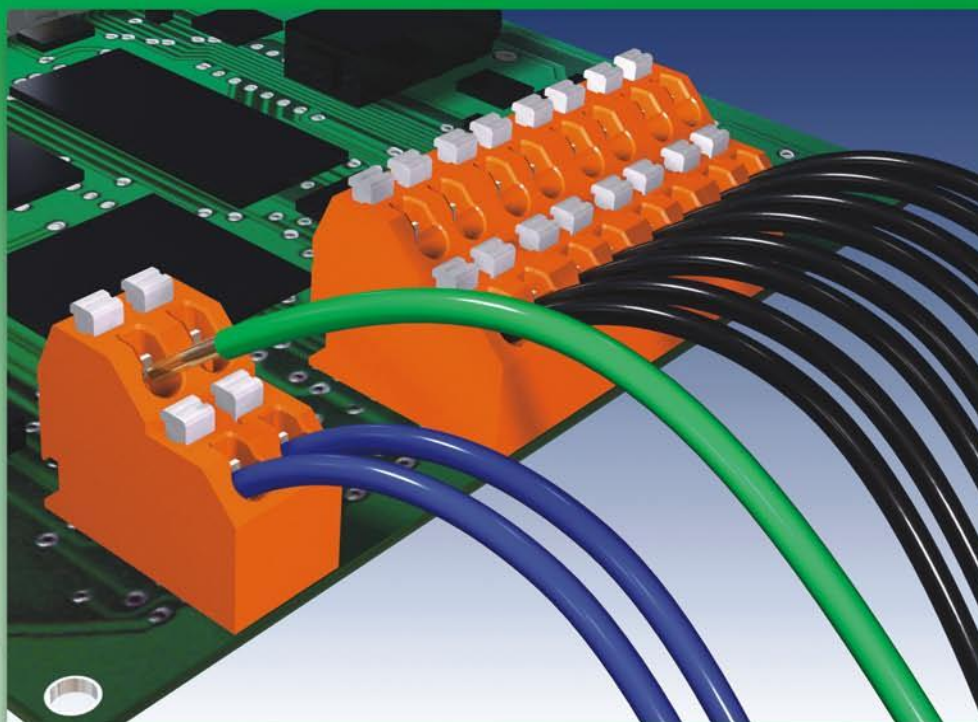


PCB Spring Terminal Blocks





弹簧式PCB接线端子

PCB Spring terminal blocks, available with two connection methods, cage clamp contact and dish clamp contact. These connectors are available in the following pitches: 2.5mm, 2.54mm, 3.5mm, 3.56mm, 3.81mm, 3.96mm, 4.57mm, 5.0mm, 5.08mm, 5.6mm, 7.5mm, 7.62mm, 8.0mm, 10.0mm, 10.16mm.

The cage clamp PCB spring terminal blocks can be used instead of Printed Circuit universal screw terminal blocks, more flexible. The improved cage clamp PCB spring terminal blocks are available as a force-optimized spring cage. Providing various combination of connection, with easy operation. The adoption of no lever design can reduce the height of housing for special application requirement therefore the wire can be removed easily by just pressing down the clamp with a screwdriver, which is applicable to many kinds of wire-connecting of single-core, multi-core and round-club blocks and so on.

The design of the dish clamp PCB terminal blocks is so concisely designed that we can insert the wire into it very quickly without any tool. Users can not only choose different parameters such as pitch and position of the pole, but also the different direction of the wire insertion as they needed. The round-club and single-core can be inserted directly without handlebars. But as for comparatively smaller wires, you can use handlebars to open the clamp to tighten the wire.

Most of the PCB spring terminal blocks are all assembled piece by piece. The convenient wire connection method of the product is extremely suitable for the telecommunication system, lighting system, security system, and wiring of architectures.

The product is designed in accordance with IEC60998, UL1059, CSA 22.2 No. 158 standards and get the approval of UL, VDE, CQC, etc.

弹簧式PCB接线端子，接线方式分笼式弹簧连接和蝶形弹簧连接。间距有：2.5、2.54、3.5、3.56、3.81、3.96、4.57、5.0、5.08、5.6、7.5、7.62、8.0、10.0、10.16mm可供选择。

笼式弹簧式PCB接线端子与螺钉式PCB接线端子可相互替代，大大增加了灵活性。新改进的笼式弹簧连接PCB接线端子，从力学角度上最为优化，提供多种接线组合，接线操作简便。提供无手把的规格，使得高度可以大幅降低，退线时只要用起子压下即可轻易将电线取出。可适用于单芯线、多股线、圆棒端子等多种接线方式。

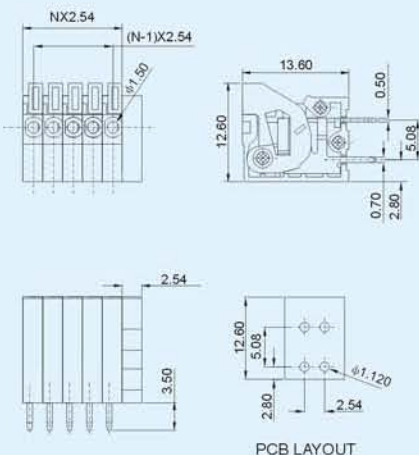
蝶形弹簧式PCB接线端子设计紧凑，无需任何工具，快速接入。用户不仅可根据需要选择不同的参数，如针位，针距等，还可选择不同的接线方向。圆棒端子及单芯线能直接插入，不需手把的辅助，但较小的电线可用手把打开夹子将电线加紧。

大部分的弹簧式PCB接线端子都是以一片一片组合而成，本产品方便的接线方式极适合在通信系统、照明系统、保安系统与建筑物的布线使用。

产品设计符合 IEC60998、UL1059、CSA 22.2 NO. 158等国际标准,并通过 UL、VDE、CQC等认证。



DG141V-2.54



Pitch:2.54mm;Poles:1P~24P

● **Material**

Wire guard: Stainless steel
Pin header : Brass, Tin plated
Housing : PA66, UL94V-0

● **Electrical**

Rated voltage : 150V
Rated current : 2A
Contact resistance : 20m Ω
Insulation resistance: 5000M Ω /DC1000V
Withstanding voltage: AC2000V/1Min
Wire range : 26-20AWG 1.0mm²

● **Mechanical**

Temp.Range : -40°C~+105°C
Strip length : 11mm

● **材质及电镀**

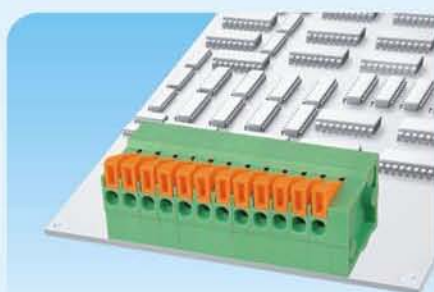
簧片 : 不锈钢
焊针 : 黄铜,镀锡
塑件 : PA66, UL94V-0

● **电气性能**

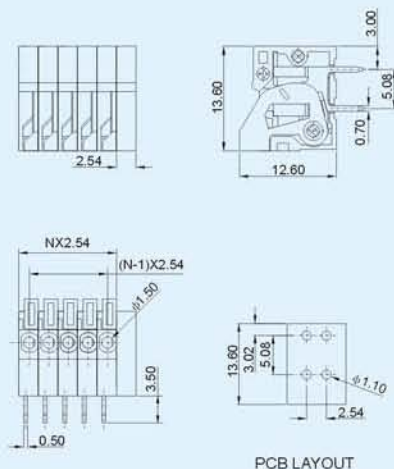
额定电压 : 150V
额定电流 : 2A
接触电阻 : 20m Ω
绝缘电阻 : 5000M Ω /DC1000V
耐电压 : AC2000V/1Min
使用线径 : 26-20AWG 1.0mm²

● **机械性能**

温度范围 : -40°C~+105°C
剥线长度 : 11mm



DG141R-2.54



Pitch:2.54mm;Poles:1P~24P

● **Material**

Wire guard: Stainless steel
Pin header : Brass, Tin plated
Housing : PA66, UL94V-0

● **Electrical**

Rated voltage : 150V
Rated current : 2A
Contact resistance : 20m Ω
Insulation resistance: 5000M Ω /DC1000V
Withstanding voltage: AC2000V/1Min
Wire range : 26-20AWG 1.0mm²

● **Mechanical**

Temp.Range : -40°C~+105°C
Strip length : 11mm

● **材质及电镀**

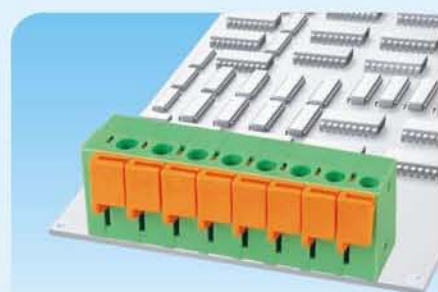
簧片 : 不锈钢
焊针 : 黄铜,镀锡
塑件 : PA66, UL94V-0

● **电气性能**

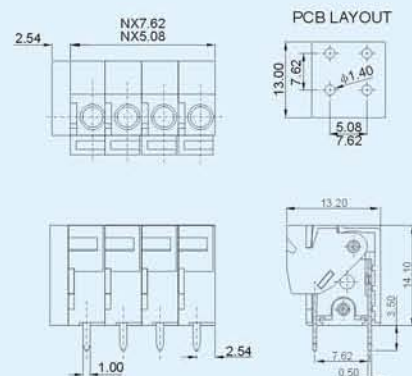
额定电压 : 150V
额定电流 : 2A
接触电阻 : 20m Ω
绝缘电阻 : 5000M Ω /DC1000V
耐电压 : AC2000V/1Min
使用线径 : 26-20AWG 1.0mm²

● **机械性能**

温度范围 : -40°C~+105°C
剥线长度 : 11mm



DG142V-5.08
DG142V-7.62



Pitch:5.08mm,7.62mm;Poles:1P~24P

● **Material**

Wire guard: Stainless steel
Pin header : Brass, Tin plated
Housing : PA66, UL94V-0

● **Electrical**

Rated voltage : 300V
Rated current : 10A
Contact resistance : 20m Ω
Insulation resistance: 5000M Ω /DC1000V
Withstanding voltage: AC2000V/1Min
Wire range : 22-14AWG 1.5mm²

● **Mechanical**

Temp.Range : -40°C~+105°C
Strip length : 10mm

● **材质及电镀**

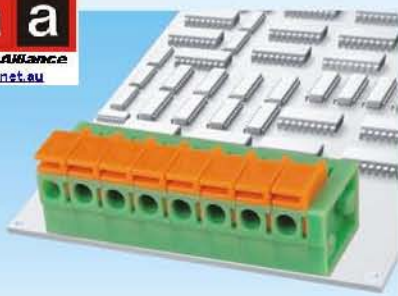
簧片 : 不锈钢
焊针 : 黄铜,镀锡
塑件 : PA66, UL94V-0

● **电气性能**

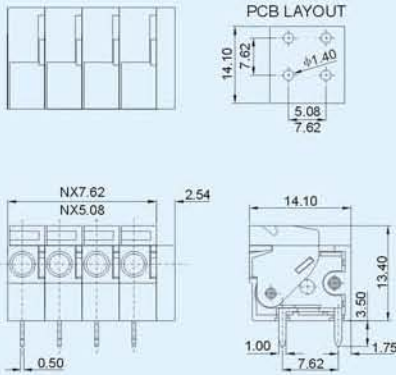
额定电压 : 300V
额定电流 : 10A
接触电阻 : 20m Ω
绝缘电阻 : 5000M Ω /DC1000V
耐电压 : AC2000V/1Min
使用线径 : 22-14AWG 1.5mm²

● **机械性能**

温度范围 : -40°C~+105°C
剥线长度 : 10mm



DG142R-5.08
DG142R-7.62



Pitch: 5.08mm, 7.62mm; Poles: 1P~24P

Material

Wire guard: Stainless steel
Pin header: Brass, Tin plated
Housing: PA66, UL94V-0

Electrical

Rated voltage: 300V
Rated current: 10A
Contact resistance: 20mΩ
Insulation resistance: 5000MΩ / DC1000V
Withstanding voltage: AC2000V/1Min
Wire range: 22-14AWG 1.5mm²

Mechanical

Temp. Range: -40°C~+105°C
Strip length: 10mm

材质及电镀

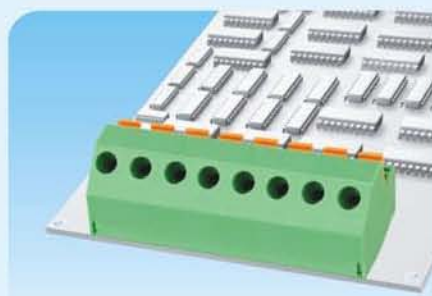
簧片: 不锈钢
焊针: 黄铜, 镀锡
塑件: PA66, UL94V-0

电气性能

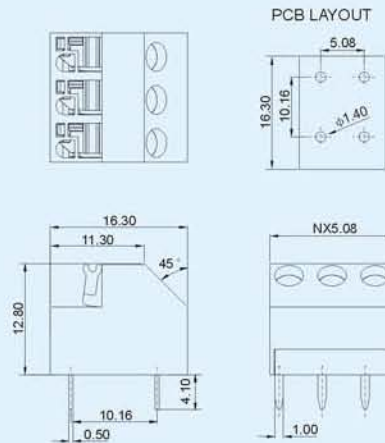
额定电压: 300V
额定电流: 10A
接触电阻: 20mΩ
绝缘电阻: 5000MΩ / DC1000V
耐电压: AC2000V/1Min
使用线径: 22-14AWG 1.5mm²

机械性能

温度范围: -40°C~+105°C
剥线长度: 10mm



DG237-5.08



Pitch: 5.08mm; Poles: 2P~12P

Material

Wire guard: Stainless steel
Pin header: Brass, Tin plated
Housing: PA66, UL94V-0

Electrical

Rated voltage: 300V
Rated current: 10A
Contact resistance: 20mΩ
Insulation resistance: 5000MΩ / DC1000V
Withstanding voltage: AC2000V/1Min
Wire range: 22-16AWG 1.5mm²

Mechanical

Temp. Range: -40°C~+105°C
Strip length: 8-9mm

材质及电镀

簧片: 不锈钢
焊针: 黄铜, 镀锡
塑件: PA66, UL94V-0

电气性能

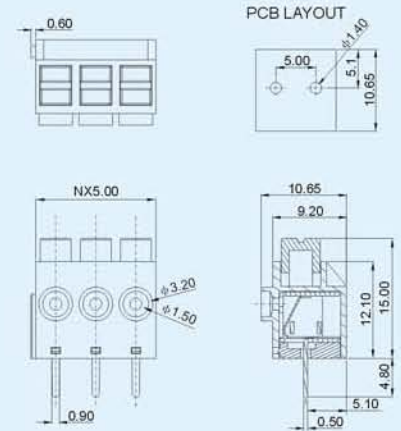
额定电压: 300V
额定电流: 10A
接触电阻: 20mΩ
绝缘电阻: 5000MΩ / DC1000V
耐电压: AC2000V/1Min
使用线径: 22-16AWG 1.5mm²

机械性能

温度范围: -40°C~+105°C
剥线长度: 8-9mm



DG390-5.0



Pitch: 5.0mm; Poles: 2P, 3P~24P

Material

Wire guard: Stainless steel
Pin header: Brass, Tin plated
Housing: PBT, UL94V-0

Electrical

Rated voltage: 300V
Rated current: 8A
Contact resistance: 20mΩ
Insulation resistance: 5000MΩ / DC1000V
Withstanding voltage: AC2000V/1Min
Wire range: 22-18AWG 1.0mm²

Mechanical

Temp. Range: -30°C~+120°C
Strip length: 7-7.5mm

材质及电镀

簧片: 不锈钢
焊针: 黄铜, 镀锡
塑件: PBT, UL94V-0

电气性能

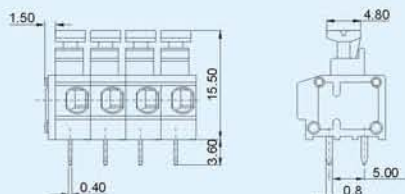
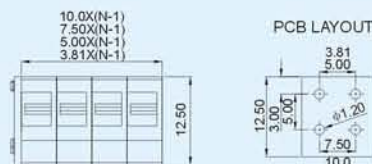
额定电压: 300V
额定电流: 8A
接触电阻: 20mΩ
绝缘电阻: 5000MΩ / DC1000V
耐电压: AC2000V/1Min
使用线径: 22-18AWG 1.0mm²

机械性能

温度范围: -30°C~+120°C
剥线长度: 7-7.5mm



DG235-3.81 DG235-3.96
DG235-5.0 DG235-5.08
DG235-7.5 DG235-7.62
DG235-10.0 DG235-10.16



Pitch: 3.81mm, 3.96mm, 5.00mm, 5.08mm
7.50mm, 7.62mm, 10.0mm, 10.16mm
Poles: 1P~24P

• **Material**

Wire guard: Stainless steel
Pin header: Phosphor bronze, Tin plated
Housing: PA66, UL94V-0

• **Electrical**

Rated voltage: 300V
Rated current: 10A
Contact resistance: 20mΩ
Insulation resistance: 5000MΩ / DC1000V
Withstanding voltage: AC2000V/1Min
Wire range: 20-14AWG 1.5mm²

• **Mechanical**

Temp. Range: -40°C~+105°C
Strip length: 9-10mm

• **材质及电镀**

簧片: 不锈钢
焊针: 磷青铜, 镀锡
塑件: PA66, UL94V-0

• **电气性能**

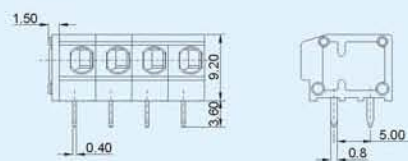
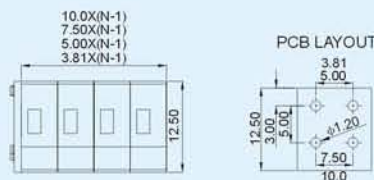
额定电压: 300V
额定电流: 10A
接触电阻: 20mΩ
绝缘电阻: 5000MΩ / DC1000V
耐电压: AC2000V/1Min
使用线径: 20-14AWG 1.5mm²

• **机械性能**

温度范围: -40°C~+105°C
剥线长度: 9-10mm



DG235W-3.81 DG235W-3.96
DG235W-5.0 DG235W-5.08
DG235W-7.5 DG235W-7.62
DG235W-10.0 DG235W-10.16



Pitch: 3.81mm, 3.96mm, 5.00mm, 5.08mm
7.50mm, 7.62mm, 10.0mm, 10.16mm
Poles: 1P~24P

• **Material**

Wire guard: Stainless steel
Pin header: Phosphor bronze, Tin plated
Housing: PA66, UL94V-0

• **Electrical**

Rated voltage: 300V
Rated current: 10A
Contact resistance: 20mΩ
Insulation resistance: 5000MΩ / DC1000V
Withstanding voltage: AC2000V/1Min
Wire range: 20-14AWG 1.5mm²

• **Mechanical**

Temp. Range: -40°C~+105°C
Strip length: 9-10mm

• **材质及电镀**

簧片: 不锈钢
焊针: 磷青铜, 镀锡
塑件: PA66, UL94V-0

• **电气性能**

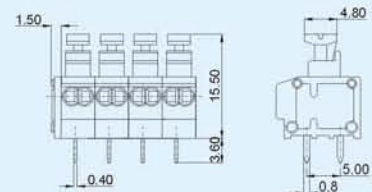
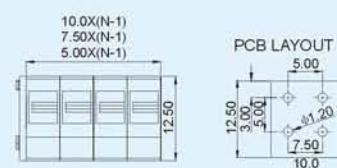
额定电压: 300V
额定电流: 10A
接触电阻: 20mΩ
绝缘电阻: 5000MΩ / DC1000V
耐电压: AC2000V/1Min
使用线径: 20-14AWG 1.5mm²

• **机械性能**

温度范围: -40°C~+105°C
剥线长度: 9-10mm



DG235T-5.0 DG235T-5.08
DG235T-7.5 DG235T-7.62
DG235T-10.0 DG235T-10.16



Pitch: 5.00mm, 5.08mm, 7.50mm
7.62mm, 10.0mm, 10.16mm
Poles: 1P~24P

• **Material**

Wire guard: Stainless steel
Pin header: Phosphor bronze, Tin plated
Housing: PA66, UL94V-0

• **Electrical**

Rated voltage: 300V
Rated current: 10A
Contact resistance: 20mΩ
Insulation resistance: 5000MΩ / DC1000V
Withstanding voltage: AC2000V/1Min
Wire range: 20-14AWG 1.5mm²

• **Mechanical**

Temp. Range: -40°C~+105°C
Strip length: 9-10mm

• **材质及电镀**

簧片: 不锈钢
焊针: 磷青铜, 镀锡
塑件: PA66, UL94V-0

• **电气性能**

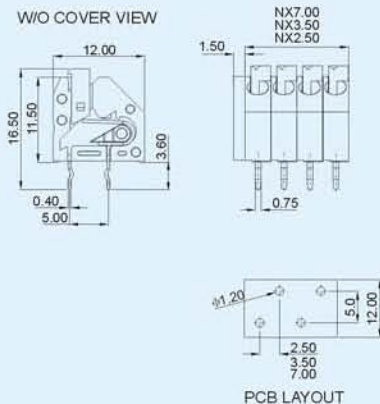
额定电压: 300V
额定电流: 10A
接触电阻: 20mΩ
绝缘电阻: 5000MΩ / DC1000V
耐电压: AC2000V/1Min
使用线径: 20-14AWG 1.5mm²

• **机械性能**

温度范围: -40°C~+105°C
剥线长度: 9-10mm



DG250-2.5 DG250-2.54
DG250-3.5 DG250-7.0



Pitch: 2.5mm, 2.54mm, 3.5mm, 7.0mm
Poles: 2P~24P

● **Material**

Pin header : Phosphor bronze, Tin plated
Housing : PA66, UL94V-0

● **Electrical**

Rated voltage : 300V
Rated current : 7A
Contact resistance : 20mΩ
Insulation resistance: 5000MΩ / DC1000V
Withstanding voltage: AC2000V/1Min
Wire range : 22-18AWG 1.5mm²

● **Mechanical**

Temp.Range : -40°C~+105°C
Strip length : 8-9mm

● **材质及电镀**

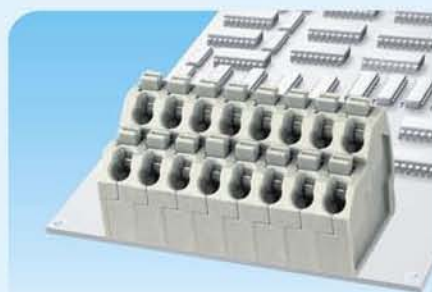
焊针 : 磷青铜, 镀锡
塑件 : PA66, UL94V-0

● **电气性能**

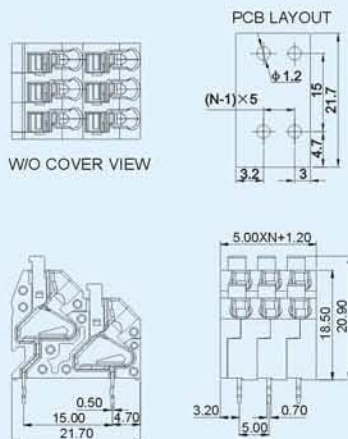
额定电压 : 300V
额定电流 : 7A
接触电阻 : 20mΩ
绝缘电阻 : 5000MΩ / DC1000V
耐电压 : AC2000V/1Min
使用线径 : 22-18AWG 1.5mm²

● **机械性能**

温度范围 : -40°C~+105°C
剥线长度 : 8-9mm



DG250T-5.0



Pitch: 5.0mm; Poles: 2*(1P~24P)

● **Material**

Pin header : Copper, Tin plated
Housing : PA66, UL94V-0

● **Electrical**

Rated voltage : 300V
Rated current : 10A
Contact resistance : 20mΩ
Insulation resistance: 5000MΩ / DC1000V
Withstanding voltage: AC2000V/1Min
Wire range : 22-14AWG 1.5mm²

● **Mechanical**

Temp.Range : -40°C~+105°C
Strip length : 8-9mm

● **材质及电镀**

焊针 : 紫铜, 镀锡
塑件 : PA66, UL94V-0

● **电气性能**

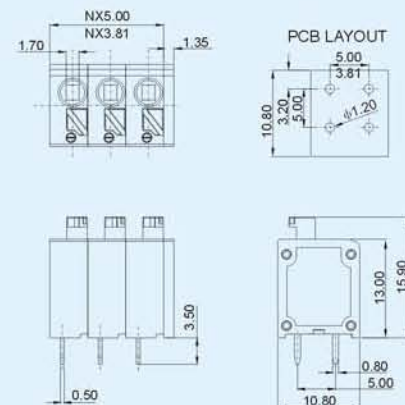
额定电压 : 300V
额定电流 : 10A
接触电阻 : 20mΩ
绝缘电阻 : 5000MΩ / DC1000V
耐电压 : AC2000V/1Min
使用线径 : 22-14AWG 1.5mm²

● **机械性能**

温度范围 : -40°C~+105°C
剥线长度 : 8-9mm



DG236-3.81
DG236-5.0



Pitch: 3.81mm, 5.0mm; Poles: 1P~24P

● **Material**

Wire guard: Stainless steel
Pin header : Copper, Tin plated
Housing : PA66, UL94V-0

● **Electrical**

Rated voltage : 300V
Rated current : 10A
Contact resistance : 20mΩ
Insulation resistance: 5000MΩ / DC1000V
Withstanding voltage: AC2000V/1Min
Wire range : 20-16AWG 1.5mm²

● **Mechanical**

Temp.Range : -40°C~+105°C
Strip length : 8-9mm

● **材质及电镀**

簧片 : 不锈钢
焊针 : 紫铜, 镀锡
塑件 : PA66, UL94V-0

● **电气性能**

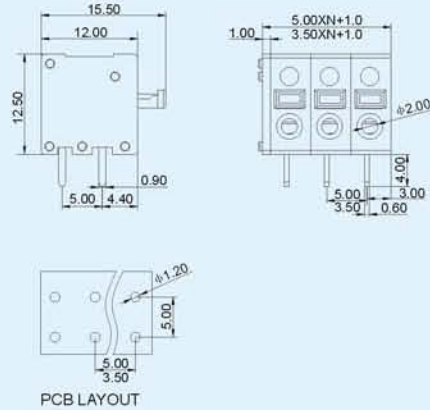
额定电压 : 300V
额定电流 : 10A
接触电阻 : 20mΩ
绝缘电阻 : 5000MΩ / DC1000V
耐电压 : AC2000V/1Min
使用线径 : 20-16AWG 1.5mm²

● **机械性能**

温度范围 : -40°C~+105°C
剥线长度 : 8-9mm



DG211R-3.5
DG211R-5.0 DG211R-7.5



Pitch:3.5mm,5.0mm,7.5mm;Poles:1P~24P

● **Material**

Pin header : Brass, Tin plated
Housing : PA66, UL94V-0

● **Electrical**

Rated voltage : 300V
Rated current : 7A
Contact resistance : 20mΩ
Insulation resistance: 5000MΩ/DC1000V
Withstanding voltage: AC2000V/1Min
Wire range : 26-16AWG 1.5mm²

● **Mechanical**

Temp.Range : -40°C~+105°C
Strip length : 6-7mm

● **材质及电镀**

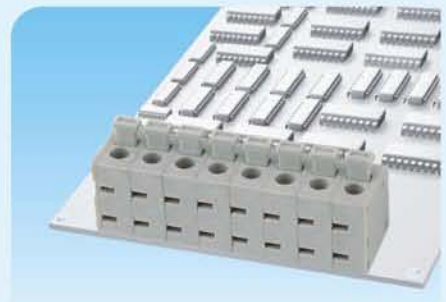
焊针 : 黄铜,镀锡
塑件 : PA66, UL94V-0

● **电气性能**

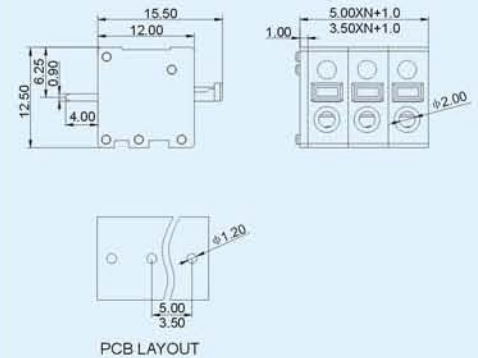
额定电压 : 300V
额定电流 : 7A
接触电阻 : 20mΩ
绝缘电阻 : 5000MΩ/DC1000V
耐电压 : AC2000V/1Min
使用线径 : 26-16AWG 1.5mm²

● **机械性能**

温度范围 : -40°C~+105°C
剥线长度 : 6-7mm



DG211V-3.5
DG211V-5.0 DG211V-7.5



Pitch:3.5mm,5.0mm,7.5mm;Poles:1P~24P

● **Material**

Pin header : Brass, Tin plated
Housing : PA66, UL94V-0

● **Electrical**

Rated voltage : 300V
Rated current : 7A
Contact resistance : 20mΩ
Insulation resistance: 5000MΩ/DC1000V
Withstanding voltage: AC2000V/1Min
Wire range : 26-16AWG 1.5mm²

● **Mechanical**

Temp.Range : -40°C~+105°C
Strip length : 6-7mm

● **材质及电镀**

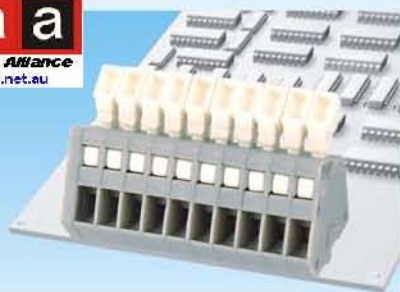
焊针 : 黄铜,镀锡
塑件 : PA66, UL94V-0

● **电气性能**

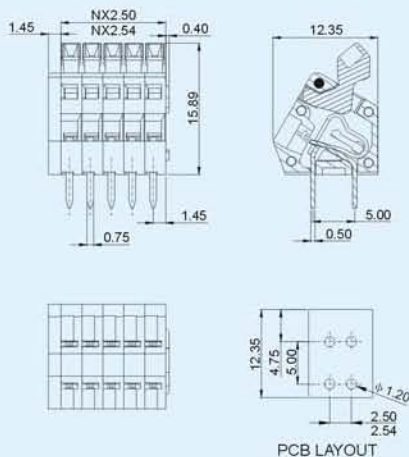
额定电压 : 300V
额定电流 : 7A
接触电阻 : 20mΩ
绝缘电阻 : 5000MΩ/DC1000V
耐电压 : AC2000V/1Min
使用线径 : 26-16AWG 1.5mm²

● **机械性能**

温度范围 : -40°C~+105°C
剥线长度 : 6-7mm



DG240-2.5
DG240-2.54



Pitch: 2.5mm, 2.54mm; Poles: 1P~24P

Material

Wire guard: Stainless steel
Pin header: Phosphor bronze, Tin plated
Housing: PA66, UL94V-0

Electrical

Rated voltage: 150V
Rated current: 4A
Contact resistance: 20m Ω
Insulation resistance: 5000M Ω /DC1000V
Withstanding voltage: AC2000V/1Min
Wire range: 28-20AWG 0.5mm²

Mechanical

Temp. Range: -40°C~+105°C
Strip length: 5-6mm

材质及电镀

簧片: 不锈钢
焊针: 磷青铜, 镀锡
塑件: PA66, UL94V-0

电气性能

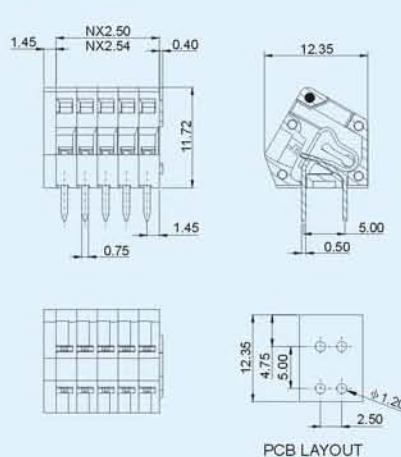
额定电压: 150V
额定电流: 4A
接触电阻: 20m Ω
绝缘电阻: 5000M Ω /DC1000V
耐电压: AC2000V/1Min
使用线径: 28-20AWG 0.5mm²

机械性能

温度范围: -40°C~+105°C
剥线长度: 5-6mm



DG240W-2.5
DG240W-2.54



Pitch: 2.5mm, 2.54mm; Poles: 1P~24P

Material

Wire guard: Stainless steel
Pin header: Phosphor bronze, Tin plated
Housing: PA66, UL94V-0

Electrical

Rated voltage: 150V
Rated current: 4A
Contact resistance: 20m Ω
Insulation resistance: 5000M Ω /DC1000V
Withstanding voltage: AC2000V/1Min
Wire range: 28-20AWG 0.5mm²

Mechanical

Temp. Range: -40°C~+105°C
Strip length: 5-6mm

材质及电镀

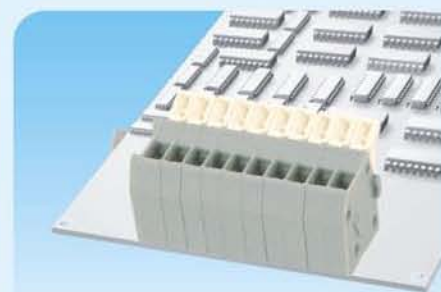
簧片: 不锈钢
焊针: 磷青铜, 镀锡
塑件: PA66, UL94V-0

电气性能

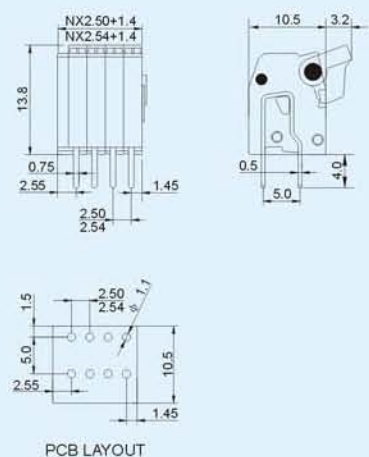
额定电压: 150V
额定电流: 4A
接触电阻: 20m Ω
绝缘电阻: 5000M Ω /DC1000V
耐电压: AC2000V/1Min
使用线径: 28-20AWG 0.5mm²

机械性能

温度范围: -40°C~+105°C
剥线长度: 5-6mm



DG241-2.5
DG241-2.54



Pitch: 2.5mm, 2.54mm; Poles: 1P~24P

Material

Wire guard: Stainless steel
Pin header: Phosphor bronze, Tin plated
Housing: PA66, UL94V-0

Electrical

Rated voltage: 150V
Rated current: 4A
Contact resistance: 20m Ω
Insulation resistance: 5000M Ω /DC1000V
Withstanding voltage: AC2000V/1Min
Wire range: 28-20AWG 0.5mm²

Mechanical

Temp. Range: -40°C~+105°C
Strip length: 5-6mm

材质及电镀

簧片: 不锈钢
焊针: 磷青铜, 镀锡
塑件: PA66, UL94V-0

电气性能

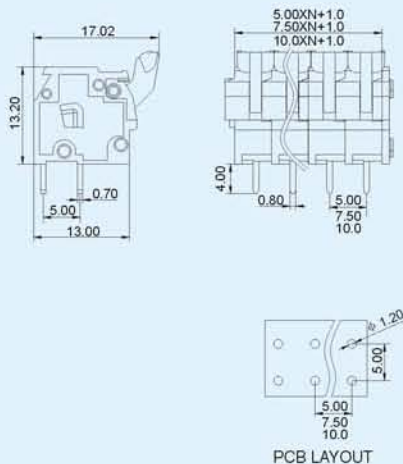
额定电压: 150V
额定电流: 4A
接触电阻: 20m Ω
绝缘电阻: 5000M Ω /DC1000V
耐电压: AC2000V/1Min
使用线径: 28-20AWG 0.5mm²

机械性能

温度范围: -40°C~+105°C
剥线长度: 5-6mm



DG242V-5.0 DG242V-5.08
DG242V-7.5 DG242V-7.62
DG242V-10.0 DG242V-10.16



Pitch: 5.0mm, 5.08mm, 7.5mm,
7.62mm, 10.0mm, 10.16mm
Poles: 1P~24P

Material

Wire guard: Stainless steel
Pin header : Phosphor bronze, Tin plated
Housing : PA66, UL94V-0

Electrical

Rated voltage : 300V
Rated current : 15A
Contact resistance : 20mΩ
Insulation resistance: 5000MΩ / DC1000V
Withstanding voltage: AC2000V/1Min
Wire range : 28-12AWG 2.5mm²

Mechanical

Temp. Range : -40°C~+105°C
Strip length : 5-6mm

材质及电镀

簧片 : 不锈钢
焊针 : 磷青铜, 镀锡
塑件 : PA66, UL94V-0

电气性能

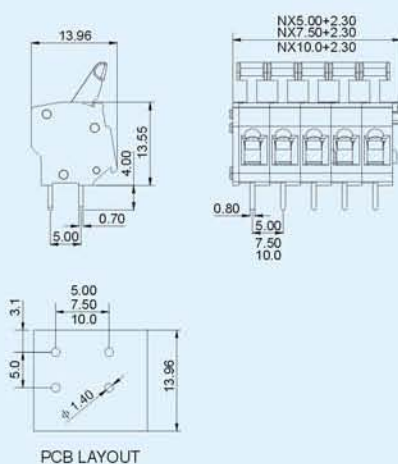
额定电压 : 300V
额定电流 : 15A
接触电阻 : 20mΩ
绝缘电阻 : 5000MΩ / DC1000V
耐电压 : AC2000V/1Min
使用线径 : 28-12AWG 2.5mm²

机械性能

温度范围 : -40°C~+105°C
剥线长度 : 5-6mm



DG242R-5.0 DG242R-5.08
DG242R-7.5 DG242R-7.62
DG242R-10.0 DG242R-10.16



Pitch: 5.0mm, 5.08mm, 7.5mm,
7.62mm, 10.0mm, 10.16mm
Poles: 1P~24P

Material

Wire guard: Stainless steel
Pin header : Phosphor bronze, Tin plated
Housing : PA66, UL94V-0

Electrical

Rated voltage : 300V
Rated current : 15A
Contact resistance : 20mΩ
Insulation resistance: 5000MΩ / DC1000V
Withstanding voltage: AC2000V/1Min
Wire range : 28-12AWG 2.5mm²

Mechanical

Temp. Range : -40°C~+105°C
Strip length : 5-6mm

材质及电镀

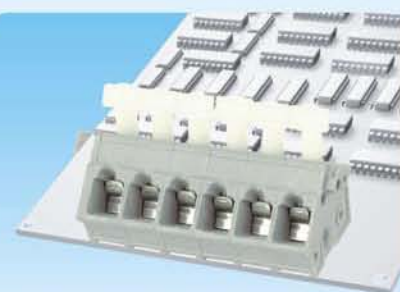
簧片 : 不锈钢
焊针 : 磷青铜, 镀锡
塑件 : PA66, UL94V-0

电气性能

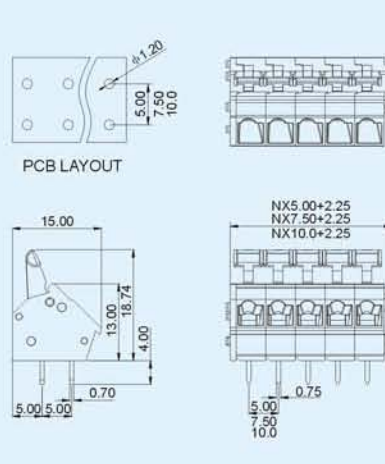
额定电压 : 300V
额定电流 : 15A
接触电阻 : 20mΩ
绝缘电阻 : 5000MΩ / DC1000V
耐电压 : AC2000V/1Min
使用线径 : 28-12AWG 2.5mm²

机械性能

温度范围 : -40°C~+105°C
剥线长度 : 5-6mm



DG243-5.0 DG243-5.08
DG243-7.5 DG243-7.62
DG243-10.0 DG243-10.16



Pitch: 5.0mm, 5.08mm, 7.5mm,
7.62mm, 10.0mm, 10.16mm
Poles: 1P~24P

Material

Wire guard: Stainless steel
Pin header : Phosphor bronze, Tin plated
Housing : PA66, UL94V-0

Electrical

Rated voltage : 300V
Rated current : 15A
Contact resistance : 20mΩ
Insulation resistance: 5000MΩ / DC1000V
Withstanding voltage: AC2000V/1Min
Wire range : 28-12AWG 2.5mm²

Mechanical

Temp. Range : -40°C~+105°C
Strip length : 5-6mm

材质及电镀

簧片 : 不锈钢
焊针 : 磷青铜, 镀锡
塑件 : PA66, UL94V-0

电气性能

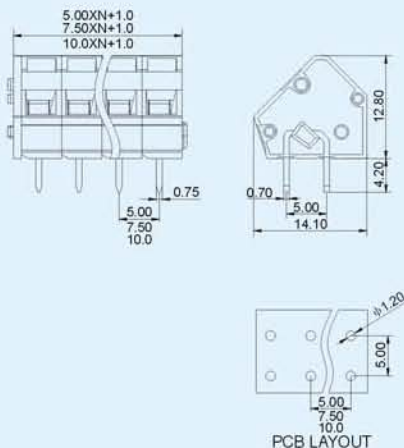
额定电压 : 300V
额定电流 : 15A
接触电阻 : 20mΩ
绝缘电阻 : 5000MΩ / DC1000V
耐电压 : AC2000V/1Min
使用线径 : 28-12AWG 2.5mm²

机械性能

温度范围 : -40°C~+105°C
剥线长度 : 5-6mm



DG245-5.0 DG245-5.08
DG245-7.5 DG245-7.62
DG245-10.0 DG245-10.16



Pitch: 5.0mm, 5.08mm, 7.5mm,
7.62mm, 10.0mm, 10.16mm
Poles: 1P~24P

Material

Wire guard: Stainless steel
Pin header: Phosphor bronze, Tin plated
Housing: PA66, UL94V-0

Electrical

Rated voltage : 300V
Rated current : 15A
Contact resistance : 20mΩ
Insulation resistance: 5000MΩ / DC1000V
Withstanding voltage: AC2000V/1Min
Wire range : 28-12AWG 2.5mm²

Mechanical

Temp. Range : -40°C~+105°C
Strip length : 5-6mm

材质及电镀

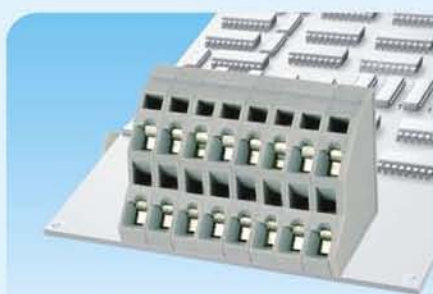
簧片 : 不锈钢
焊针 : 磷青铜, 镀锡
塑件 : PA66, UL94V-0

电气性能

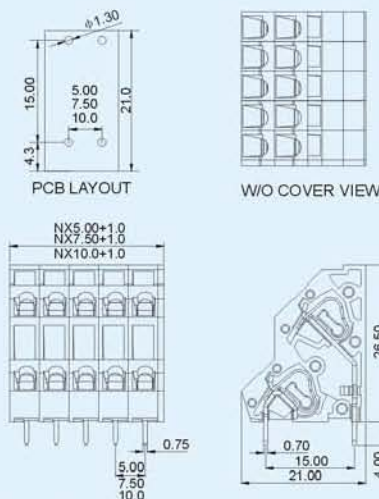
额定电压 : 300V
额定电流 : 15A
接触电阻 : 20mΩ
绝缘电阻 : 5000MΩ / DC1000V
耐电压 : AC2000V / 1Min
使用线径 : 28-12AWG 2.5mm²

机械性能

温度范围 : -40°C~+105°C
剥线长度 : 5-6mm



DG245H2-5.0 DG245H2-5.08
DG245H2-7.5 DG245H2-7.62
DG245H2-10.0 DG245H2-10.16



Pitch: 5.0mm, 5.08mm, 7.5mm,
7.62mm, 10.0mm, 10.16mm
Poles: 2*(1P~24P)

Material

Wire guard: Stainless steel
Pin header: Copper, Tin plated
Housing: PA66, UL94V-0

Electrical

Rated voltage : 300V
Rated current : 10A
Contact resistance : 20mΩ
Insulation resistance: 5000MΩ / DC1000V
Withstanding voltage: AC2000V/1Min
Wire range : 28-12AWG 2.5mm²

Mechanical

Temp. Range : -40°C~+105°C
Strip length : 6-7mm

材质及电镀

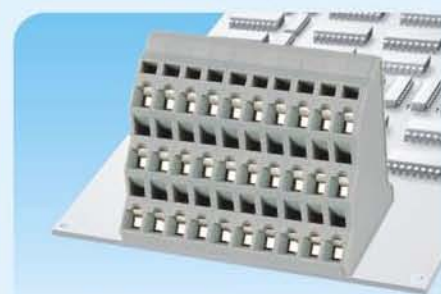
簧片 : 不锈钢
焊针 : 紫铜, 镀锡
塑件 : PA66, UL94V-0

电气性能

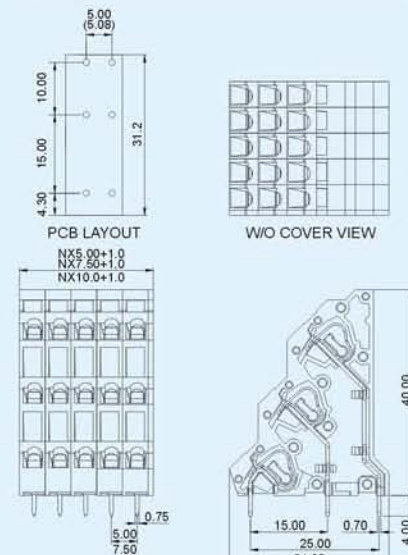
额定电压 : 300V
额定电流 : 10A
接触电阻 : 20mΩ
绝缘电阻 : 5000MΩ / DC1000V
耐电压 : AC2000V / 1Min
使用线径 : 28-12AWG 2.5mm²

机械性能

温度范围 : -40°C~+105°C
剥线长度 : 6-7mm



DG245H3-5.0 DG245H3-5.08
DG245H3-7.5 DG245H3-7.62
DG245H3-10.0 DG245H3-10.16



Pitch: 5.0mm, 5.08mm, 7.5mm,
7.62mm, 10.0mm, 10.16mm
Poles: 3*(1P~24P)

Material

Pin header: Copper, Tin plated
Housing: PA66, UL94V-0

Electrical

Rated voltage : 300V
Rated current : 10A
Contact resistance : 20mΩ
Insulation resistance: 5000MΩ / DC1000V
Withstanding voltage: AC2000V/1Min
Wire range : 28-12AWG 2.5mm²

Mechanical

Temp. Range : -40°C~+105°C
Strip length : 6-7mm

材质及电镀

焊针 : 紫铜, 镀锡
塑件 : PA66, UL94V-0

电气性能

额定电压 : 300V
额定电流 : 10A
接触电阻 : 20mΩ
绝缘电阻 : 5000MΩ / DC1000V
耐电压 : AC2000V / 1Min
使用线径 : 28-12AWG 2.5mm²

机械性能

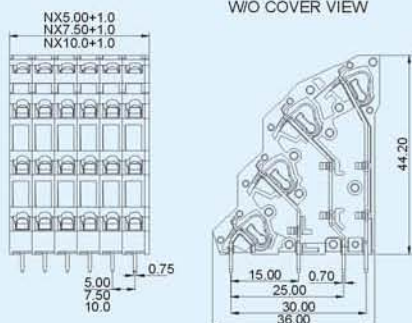
温度范围 : -40°C~+105°C
剥线长度 : 6-7mm



DG245H4-5.0 DG245H4-5.08
DG245H4-7.5 DG245H4-7.62
DG245H4-10.0 DG245H4-10.16



W/O COVER VIEW



Pitch: 5.0mm, 5.08mm, 7.5mm,
7.62mm, 10.0mm, 10.16mm
Poles: 4*(1P~24P)

● **Material**

Pin header : Copper, Tin plated
Housing : PA66, UL94V-0

● **Electrical**

Rated voltage : 300V
Rated current : 10A
Contact resistance : 20mΩ
Insulation resistance: 5000mΩ/DC1000V
Withstanding voltage: AC2000V/1Min
Wire range : 28-12AWG 2.5mm²

● **Mechanical**

Temp. Range : -40°C~+105°C
Strip length : 6-7mm

● **材质及电镀**

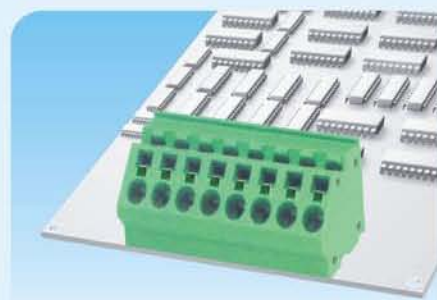
焊针 : 紫铜, 镀锡
塑件 : PA66, UL94V-0

● **电气性能**

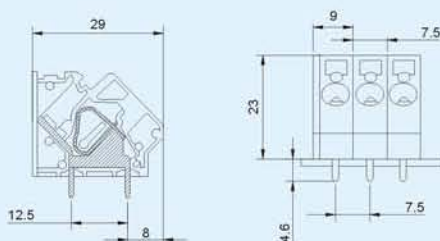
额定电压 : 300V
额定电流 : 10A
接触电阻 : 20mΩ
绝缘电阻 : 5000mΩ/DC1000V
耐电压 : AC2000V/1Min
使用线径 : 28-12AWG 2.5mm²

● **机械性能**

温度范围 : -40°C~+105°C
剥线长度 : 6-7mm



DG260-7.5
DG260-10.0



Pitch: 7.5mm, 10.0mm
Poles: 1P~24P

● **Material**

Wire guard: Stainless steel
Pin header : Copper, Tin plated
Housing : PA66, UL94V-0

● **Electrical**

Rated voltage : 500V
Rated current : 32A
Contact resistance : 20mΩ
Insulation resistance: 5000mΩ/DC1000V
Withstanding voltage: AC2000V/1Min
Wire range : 24-10AWG 4mm²

● **Mechanical**

Temp. Range : -40°C~+105°C
Strip length : 8-9mm

● **材质及电镀**

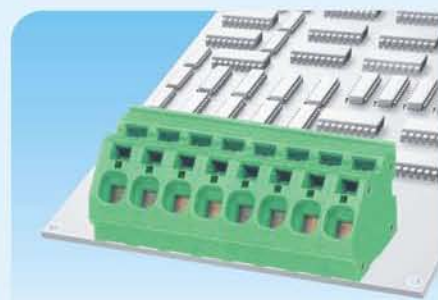
簧片 : 不锈钢
焊针 : 紫铜, 镀锡
塑件 : PA66, UL94V-0

● **电气性能**

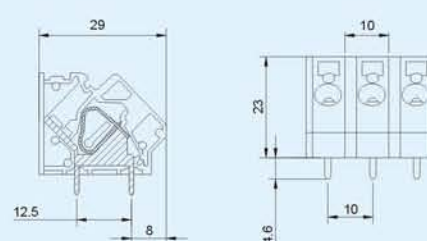
额定电压 : 500V
额定电流 : 32A
接触电阻 : 20mΩ
绝缘电阻 : 5000mΩ/DC1000V
耐电压 : AC2000V/1Min
使用线径 : 24-10AWG 4mm²

● **机械性能**

温度范围 : -40°C~+105°C
剥线长度 : 8-9mm



DG261-10.0
DG261-15.0



Pitch: 10.0mm, 15.0mm
Poles: 1P~24P

● **Material**

Wire guard: Stainless steel
Pin header : Copper, Tin plated
Housing : PA66, UL94V-0

● **Electrical**

Rated voltage : 800V
Rated current : 57A
Contact resistance : 20mΩ
Insulation resistance: 5000mΩ/DC1000V
Withstanding voltage: AC2000V/1Min
Wire range : 24-6AWG 10mm²

● **Mechanical**

Temp. Range : -40°C~+105°C
Strip length : 8-9mm

● **材质及电镀**

簧片 : 不锈钢
焊针 : 紫铜, 镀锡
塑件 : PA66, UL94V-0

● **电气性能**

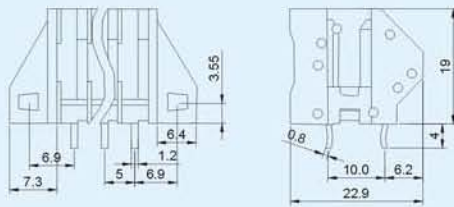
额定电压 : 800V
额定电流 : 57A
接触电阻 : 20mΩ
绝缘电阻 : 5000mΩ/DC1000V
耐电压 : AC2000V/1Min
使用线径 : 24-6AWG 10mm²

● **机械性能**

温度范围 : -40°C~+105°C
剥线长度 : 8-9mm



DG262-5.0
DG262-7.5



Pitch: 5.0mm, 7.5mm
Poles: 1P~24P

● **Material**

Wire guard: Stainless steel
Pin header: Copper, Tin plated
Housing: PA66, UL94V-0

● **Electrical**

Rated voltage : 300V
Rated current : 10A
Contact resistance : 20mΩ
Insulation resistance: 5000MΩ / DC1000V
Withstanding voltage: AC2000V/1Min
Wire range : 28-12AWG 4mm²

● **Mechanical**

Temp. Range : -40°C~+105°C
Strip length : 8-9mm

● **材质及电镀**

簧片 : 不锈钢
焊针 : 紫铜, 镀锡
塑件 : PA66, UL94V-0

● **电气性能**

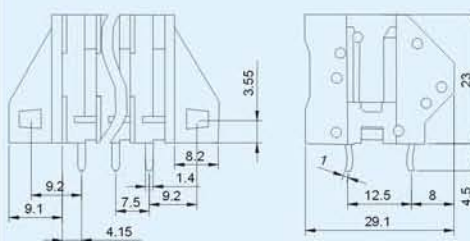
额定电压 : 300V
额定电流 : 10A
接触电阻 : 20mΩ
绝缘电阻 : 5000MΩ / DC1000V
耐电压 : AC2000V/1Min
使用线径 : 28-12AWG 4mm²

● **机械性能**

温度范围 : -40°C~+105°C
剥线长度 : 8-9mm



DG263-7.5
DG263-10.0



Pitch: 7.5mm, 10.0mm
Poles: 1P~24P

● **Material**

Wire guard: Stainless steel
Pin header: Copper, Tin plated
Housing: PA66, UL94V-0

● **Electrical**

Rated voltage : 300V
Rated current : 10A
Contact resistance : 20mΩ
Insulation resistance: 5000MΩ / DC1000V
Withstanding voltage: AC2000V/1Min
Wire range : 24-10AWG 6mm²

● **Mechanical**

Temp. Range : -40°C~+105°C
Strip length : 8-9mm

● **材质及电镀**

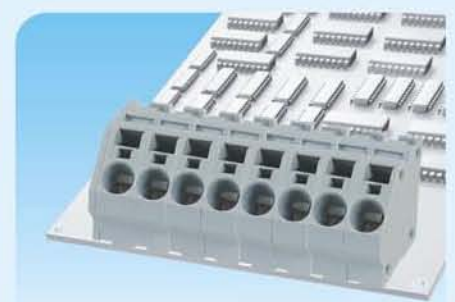
簧片 : 不锈钢
焊针 : 紫铜, 镀锡
塑件 : PA66, UL94V-0

● **电气性能**

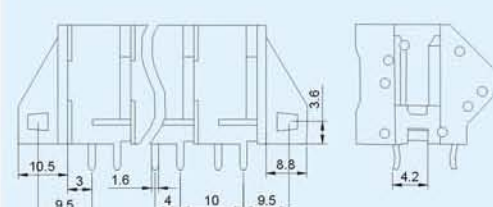
额定电压 : 300V
额定电流 : 10A
接触电阻 : 20mΩ
绝缘电阻 : 5000MΩ / DC1000V
耐电压 : AC2000V/1Min
使用线径 : 24-10AWG 6mm²

● **机械性能**

温度范围 : -40°C~+105°C
剥线长度 : 8-9mm



DG264-10.0
DG264-15.0



Pitch: 10.0mm, 15.0mm
Poles: 1P~24P

● **Material**

Wire guard: Stainless steel
Pin header: Copper, Tin plated
Housing: PA66, UL94V-0

● **Electrical**

Rated voltage : 300V
Rated current : 10A
Contact resistance : 20mΩ
Insulation resistance: 5000MΩ / DC1000V
Withstanding voltage: AC2000V/1Min
Wire range : 24-6AWG 16mm²

● **Mechanical**

Temp. Range : -40°C~+105°C
Strip length : 8-9mm

● **材质及电镀**

簧片 : 不锈钢
焊针 : 紫铜, 镀锡
塑件 : PA66, UL94V-0

● **电气性能**

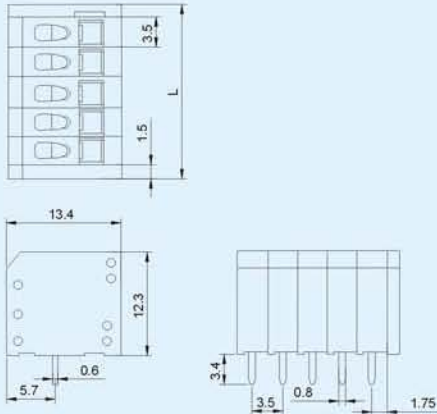
额定电压 : 300V
额定电流 : 10A
接触电阻 : 20mΩ
绝缘电阻 : 5000MΩ / DC1000V
耐电压 : AC2000V/1Min
使用线径 : 24-6AWG 16mm²

● **机械性能**

温度范围 : -40°C~+105°C
剥线长度 : 8-9mm



DG204-3.5
DG204-3.81



Pitch: 3.5mm, 3.81mm
Poles: 1P~24P

Material

Wire guard: Stainless steel
Pin header: Phosphor bronze, Tin plated
Housing: PA66, UL94V-0

Electrical

Rated voltage: 300V
Rated current: 6A
Contact resistance: 20mΩ
Insulation resistance: 5000MΩ / DC1000V
Withstanding voltage: AC2000V/1Min
Wire range: 28-14AWG 1.5mm²

Mechanical

Temp. Range: -40°C~+105°C
Strip length: 8-9mm

材质及电镀

簧片: 不锈钢
焊针: 磷青铜, 镀锡
塑件: PA66, UL94V-0

电气性能

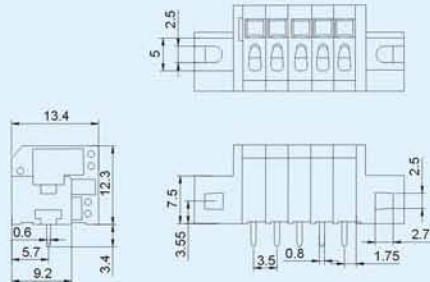
额定电压: 300V
额定电流: 6A
接触电阻: 20mΩ
绝缘电阻: 5000MΩ / DC1000V
耐电压: AC2000V/1Min
使用线径: 28-14AWG 1.5mm²

机械性能

温度范围: -40°C~+105°C
剥线长度: 8-9mm



DG204M-3.5
DG204M-3.81



Pitch: 3.5mm, 3.81mm
Poles: 1P~24P

Material

Wire guard: Stainless steel
Pin header: Phosphor bronze, Tin plated
Housing: PA66, UL94V-0

Electrical

Rated voltage: 300V
Rated current: 6A
Contact resistance: 20mΩ
Insulation resistance: 5000MΩ / DC1000V
Withstanding voltage: AC2000V/1Min
Wire range: 28-14AWG 1.5mm²

Mechanical

Temp. Range: -40°C~+105°C
Strip length: 8-9mm

材质及电镀

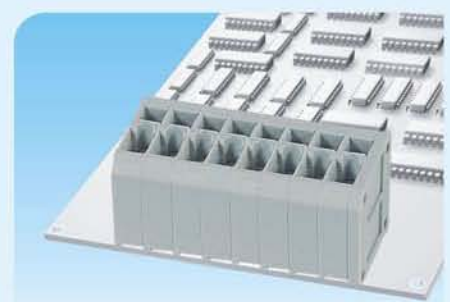
簧片: 不锈钢
焊针: 磷青铜, 镀锡
塑件: PA66, UL94V-0

电气性能

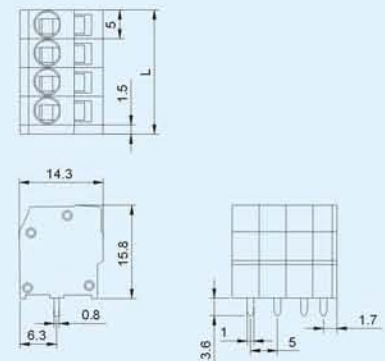
额定电压: 300V
额定电流: 6A
接触电阻: 20mΩ
绝缘电阻: 5000MΩ / DC1000V
耐电压: AC2000V/1Min
使用线径: 28-14AWG 1.5mm²

机械性能

温度范围: -40°C~+105°C
剥线长度: 8-9mm



DG204-5.0
DG204-5.08



Pitch: 5.0mm, 5.08mm
Poles: 1P~24P

Material

Wire guard: Stainless steel
Pin header: Phosphor bronze, Tin plated
Housing: PA66, UL94V-0

Electrical

Rated voltage: 300V
Rated current: 15A
Contact resistance: 20mΩ
Insulation resistance: 5000MΩ / DC1000V
Withstanding voltage: AC2000V/1Min
Wire range: 28-12AWG 2.5mm²

Mechanical

Temp. Range: -40°C~+105°C
Strip length: 8-9mm

材质及电镀

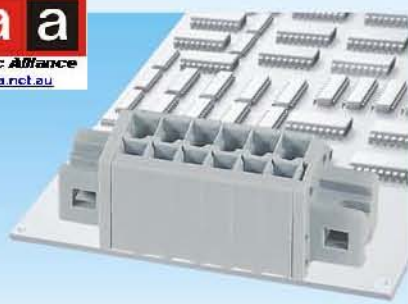
簧片: 不锈钢
焊针: 磷青铜, 镀锡
塑件: PA66, UL94V-0

电气性能

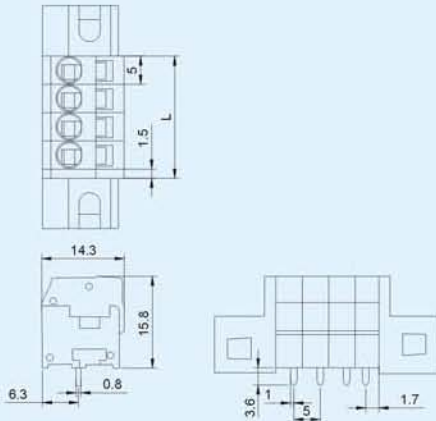
额定电压: 300V
额定电流: 15A
接触电阻: 20mΩ
绝缘电阻: 5000MΩ / DC1000V
耐电压: AC2000V/1Min
使用线径: 28-12AWG 2.5mm²

机械性能

温度范围: -40°C~+105°C
剥线长度: 8-9mm



DG204M-5.0
DG204M-5.08



Pitch: 5.0mm, 5.08mm
Poles: 1P~24P

Material

Wire guard: Stainless steel
Pin header: Phosphor bronze, Tin plated
Housing: PA66, UL94V-0

Electrical

Rated voltage: 300V
Rated current: 15A
Contact resistance: 20mΩ
Insulation resistance: 5000MΩ / DC1000V
Withstanding voltage: AC2000V/1Min
Wire range: 28-12AWG 2.5mm²

Mechanical

Temp. Range: -40°C~+105°C
Strip length: 8-9mm

材质及电镀

簧片: 不锈钢
焊针: 磷青铜, 镀锡
塑件: PA66, UL94V-0

电气性能

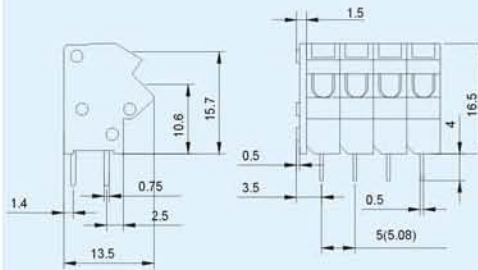
额定电压: 300V
额定电流: 15A
接触电阻: 20mΩ
绝缘电阻: 5000MΩ / DC1000V
耐电压: AC2000V / 1Min
使用线径: 28-12AWG 2.5mm²

机械性能

温度范围: -40°C~+105°C
剥线长度: 8-9mm



DG205-5.0 DG205-5.08
DG205-7.5 DG205-7.62



Pitch: 5.0mm, 5.08mm, 7.5mm, 7.62mm
Poles: 1P~24P

Material

Wire guard: Stainless steel
Pin header: Phosphor bronze, Tin plated
Housing: PA66, UL94V-0

Electrical

Rated voltage: 300V
Rated current: 10A
Contact resistance: 20mΩ
Insulation resistance: 5000MΩ / DC1000V
Withstanding voltage: AC2000V/1Min
Wire range: 28-12AWG 2.5mm²

Mechanical

Temp. Range: -40°C~+105°C
Strip length: 9-10mm

材质及电镀

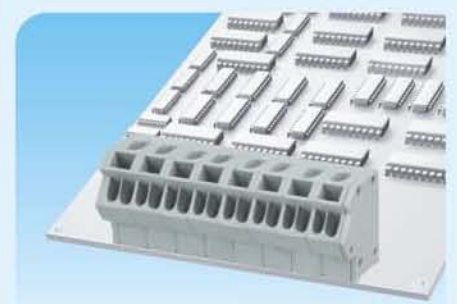
簧片: 不锈钢
焊针: 磷青铜, 镀锡
塑件: PA66, UL94V-0

电气性能

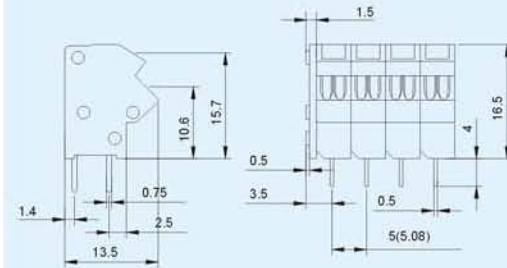
额定电压: 300V
额定电流: 10A
接触电阻: 20mΩ
绝缘电阻: 5000MΩ / DC1000V
耐电压: AC2000V / 1Min
使用线径: 28-12AWG 2.5mm²

机械性能

温度范围: -40°C~+105°C
剥线长度: 9-10mm



DG205T-5.0 DG205T-5.08
DG205T-7.5 DG205T-7.62



Pitch: 5.0mm, 5.08mm, 7.5mm, 7.62mm
Poles: 1P~24P

Material

Wire guard: Stainless steel
Pin header: Phosphor bronze, Tin plated
Housing: PA66, UL94V-0

Electrical

Rated voltage: 300V
Rated current: 10A
Contact resistance: 20mΩ
Insulation resistance: 5000MΩ / DC1000V
Withstanding voltage: AC2000V/1Min
Wire range: 24-18AWG 2x0.75mm²

Mechanical

Temp. Range: -40°C~+105°C
Strip length: 9-10mm

材质及电镀

簧片: 不锈钢
焊针: 磷青铜, 镀锡
塑件: PA66, UL94V-0

电气性能

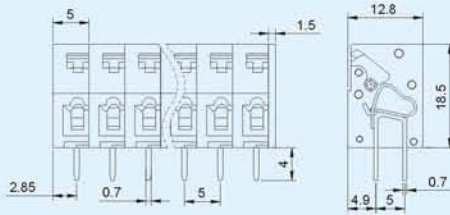
额定电压: 300V
额定电流: 10A
接触电阻: 20mΩ
绝缘电阻: 5000MΩ / DC1000V
耐电压: AC2000V / 1Min
使用线径: 24-18AWG 2x0.75mm²

机械性能

温度范围: -40°C~+105°C
剥线长度: 9-10mm



**DG206-5.0 DG206-5.08
DG206-7.5 DG206-7.62**



Pitch: 5.0mm, 5.08mm, 7.5mm, 7.62mm
Poles: 1P~24P

• **Material**

Wire guard: Stainless steel
Pin header: Phosphor bronze, Tin plated
Housing: PA66, UL94V-0

• **Electrical**

Rated voltage : 300V
Rated current : 10A
Contact resistance : 20mΩ
Insulation resistance: 5000MΩ / DC1000V
Withstanding voltage: AC2000V/1Min
Wire range : 20-12AWG 2.5mm²

• **Mechanical**

Temp. Range : -40°C~+105°C
Strip length : 9-10mm

• **材质及电镀**

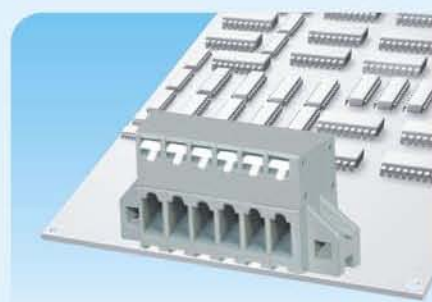
簧片 : 不锈钢
焊针 : 磷青铜, 镀锡
塑件 : PA66, UL94V-0

• **电气性能**

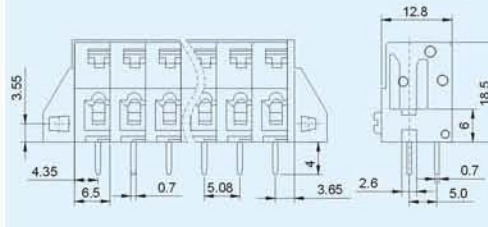
额定电压 : 300V
额定电流 : 10A
接触电阻 : 20mΩ
绝缘电阻 : 5000MΩ / DC1000V
耐电压 : AC2000V/1Min
使用线径 : 20-12AWG 2.5mm²

• **机械性能**

温度范围 : -40°C~+105°C
剥线长度 : 9-10mm



**DG206M-5.0 DG206M-5.08
DG206M-7.5 DG206M-7.62**



Pitch: 5.0mm, 5.08mm, 7.5mm, 7.62mm
Poles: 1P~24P

• **Material**

Wire guard: Stainless steel
Pin header: Phosphor bronze, Tin plated
Housing: PA66, UL94V-0

• **Electrical**

Rated voltage : 300V
Rated current : 10A
Contact resistance : 20mΩ
Insulation resistance: 5000MΩ / DC1000V
Withstanding voltage: AC2000V/1Min
Wire range : 28-12AWG 2.5mm²

• **Mechanical**

Temp. Range : -40°C~+105°C
Strip length : 9-10mm

• **材质及电镀**

簧片 : 不锈钢
焊针 : 磷青铜, 镀锡
塑件 : PA66, UL94V-0

• **电气性能**

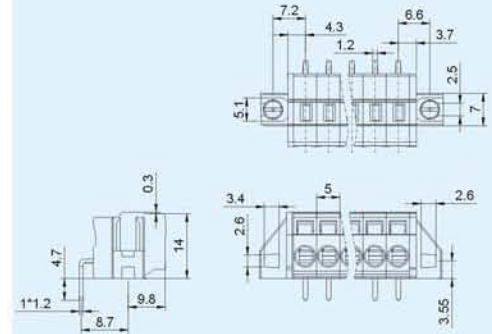
额定电压 : 300V
额定电流 : 10A
接触电阻 : 20mΩ
绝缘电阻 : 5000MΩ / DC1000V
耐电压 : AC2000V/1Min
使用线径 : 28-12AWG 2.5mm²

• **机械性能**

温度范围 : -40°C~+105°C
剥线长度 : 9-10mm



**DG207R-5.0
DG207R-5.08**



Pitch: 5.0mm, 5.08mm
Poles: 1P~24P

• **Material**

Wire guard: Stainless steel
Pin header: Phosphor bronze, Tin plated
Housing: PA66, UL94V-0

• **Electrical**

Rated voltage : 300V
Rated current : 15A
Contact resistance : 20mΩ
Insulation resistance: 5000MΩ / DC1000V
Withstanding voltage: AC2000V/1Min
Wire range : 28-12AWG 2.5mm²

• **Mechanical**

Temp. Range : -40°C~+105°C
Strip length : 9-10mm

• **材质及电镀**

簧片 : 不锈钢
焊针 : 磷青铜, 镀锡
塑件 : PA66, UL94V-0

• **电气性能**

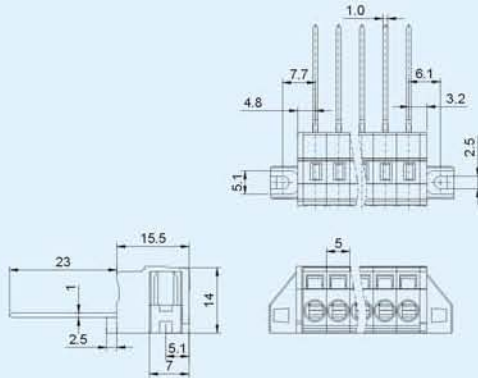
额定电压 : 300V
额定电流 : 15A
接触电阻 : 20mΩ
绝缘电阻 : 5000MΩ / DC1000V
耐电压 : AC2000V/1Min
使用线径 : 28-12AWG 2.5mm²

• **机械性能**

温度范围 : -40°C~+105°C
剥线长度 : 9-10mm



**DG207V-5.0
DG207V-5.08**



Pitch: 5.0mm, 5.08mm
Poles: 1P~24P

Material

Wire guard: Stainless steel
Pin header: Phosphor bronze, Tin plated
Housing: PA66, UL94V-0

Electrical

Rated voltage : 300V
Rated current : 15A
Contact resistance : 20mΩ
Insulation resistance: 5000MΩ/DC1000V
Withstanding voltage: AC2000V/1Min
Wire range : 28-14AWG 2.5mm²

Mechanical

Temp. Range : -40°C~+105°C
Strip length : 9-10mm

材质及电镀

簧片 : 不锈钢
焊针 : 磷青铜, 镀锡
塑件 : PA66, UL94V-0

电气性能

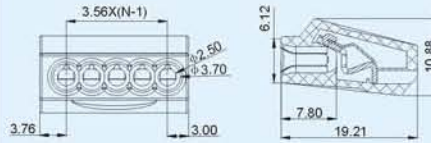
额定电压 : 300V
额定电流 : 15A
接触电阻 : 20mΩ
绝缘电阻 : 5000MΩ/DC1000V
耐电压 : AC2000V/1Min
使用线径 : 28-14AWG 2.5mm²

机械性能

温度范围 : -40°C~+105°C
剥线长度 : 9-10mm



DG228-3.56



Pitch: 3.56mm
Poles: 2P~8P

Material

Wire guard: Stainless steel
Contact : Brass, Ni plated
Housing : PA66, UL94V-0

Electrical

Rated voltage : 450V
Rated current : 24A
Contact resistance : 20mΩ
Insulation resistance: 5000MΩ/DC1000V
Withstanding voltage: AC2500V/1Min
Wire range : 22-14AWG 2.5mm²

Mechanical

Temp. Range : -40°C~+105°C
Strip length : 12-13mm

材质及电镀

簧片 : 不锈钢
触点材料: 黄铜, 镀镍
塑件 : PA66, UL94V-0

电气性能

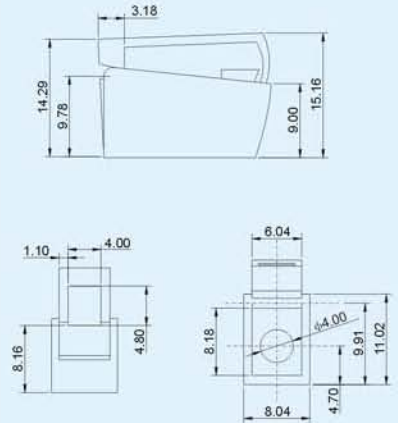
额定电压 : 450V
额定电流 : 24A
接触电阻 : 20mΩ
绝缘电阻 : 5000MΩ/DC1000V
耐电压 : AC2500V/1Min
使用线径 : 22-14AWG 2.5mm²

机械性能

温度范围 : -40°C~+105°C
剥线长度 : 12-13mm



DG222-8.0



Poles: 1P

Material

Wire guard: Stainless steel
Contact : Phosphor bronze, Tin plated
Housing : PA66, UL94V-0

Electrical

Rated voltage : 400V
Rated current : 24A
Contact resistance : 20mΩ
Insulation resistance: 5000MΩ/DC1000V
Withstanding voltage: AC2500V/1Min
Wire range : 22-14AWG 2.5mm²

Mechanical

Temp. Range : -40°C~+105°C
Strip length : 9-11mm

材质及电镀

簧片 : 不锈钢
触点材料: 磷青铜, 镀锡
塑件 : PA66, UL94V-0

电气性能

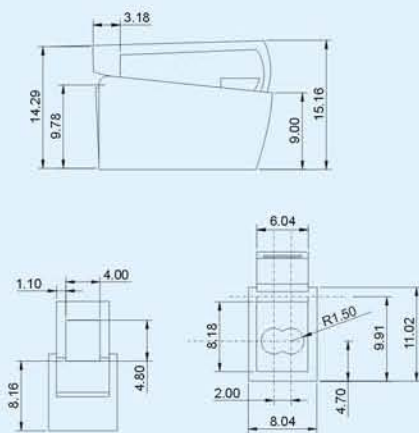
额定电压 : 400V
额定电流 : 24A
接触电阻 : 20mΩ
绝缘电阻 : 5000MΩ/DC1000V
耐电压 : AC2500V/1Min
使用线径 : 22-14AWG 2.5mm²

机械性能

温度范围 : -40°C~+105°C
剥线长度 : 9-11mm



DG222T-8.0



Poles:1P

● **Material**

Wire guard: Stainless steel
Contact : Phosphor bronze, Tin plated
Housing : PA66, UL94V-0

● **Electrical**

Rated voltage : 400V
Rated current : 24A
Contact resistance : 20mΩ
Insulation resistance : 5000MΩ /DC1000V
Withstanding voltage: AC2500V/1Min
Wire range : 22-14AWG 2.5mm²

● **Mechanical**

Temp.Range : -40°C~+105°C
Strip length : 9-11mm

● **材质及电镀**

簧片 : 不锈钢
触点材料: 磷青铜, 镀锡
塑件 : PA66, UL94V-0

● **电气性能**

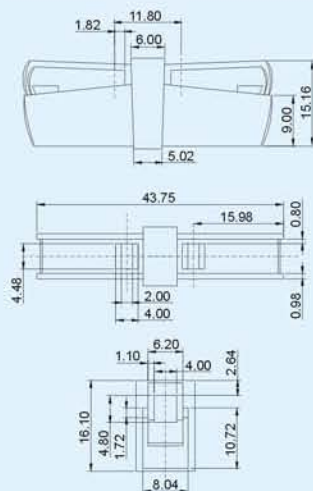
额定电压: 400V
额定电流: 24A
接触电阻: 20mΩ
绝缘电阻: 5000MΩ /DC1000V
耐电压 : AC2500V/1Min
使用线径: 22-14AWG 2.5mm²

● **机械性能**

温度范围: -40°C~+105°C
剥线长度: 9-11mm



DG224-8.0



Poles:1P

● **Material**

Wire guard: Stainless steel
Contact : Phosphor bronze, Tin plated
Housing : PA66, UL94V-0

● **Electrical**

Rated voltage : 400V
Rated current : 24A
Contact resistance : 20mΩ
Insulation resistance : 5000MΩ /DC1000V
Withstanding voltage: AC2500V/1Min
Wire range : 22-14AWG 2.5mm²

● **Mechanical**

Temp.Range : -40°C~+105°C
Strip length : 9-11mm

● **材质及电镀**

簧片 : 不锈钢
触点材料: 磷青铜, 镀锡
塑件 : PA66, UL94V-0

● **电气性能**

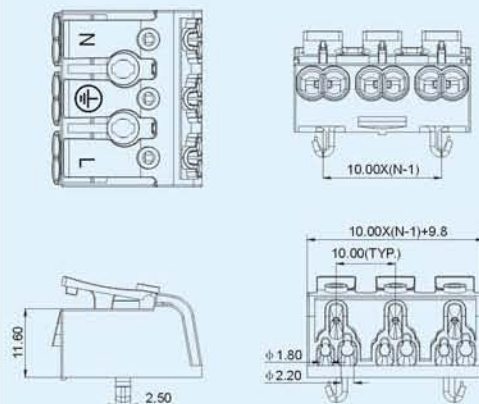
额定电压: 400V
额定电流: 24A
接触电阻: 20mΩ
绝缘电阻: 5000MΩ /DC1000V
耐电压 : AC2500V/1Min
使用线径: 22-14AWG 2.5mm²

● **机械性能**

温度范围: -40°C~+105°C
剥线长度: 9-11mm



DG238-10.0



Pitch:10.0mm;Poles:1P~5P

● **Material**

Wire guard: Stainless steel
Contact : Copper
Housing : PA66, UL94V-0

● **Electrical**

Rated voltage : 400V
Rated current : 24A
Contact resistance : 20mΩ
Insulation resistance : 5000MΩ /DC1000V
Withstanding voltage: AC2500/1Min
Wire range : 22-14AWG 2.5mm²

● **Mechanical**

Temp.Range : -40°C~+105°C
Strip length : 7-7.5mm

● **材质及电镀**

簧片 : 不锈钢
触点材料: 磷青铜, 镀锡
塑件 : PA66, UL94V-0

● **电气性能**

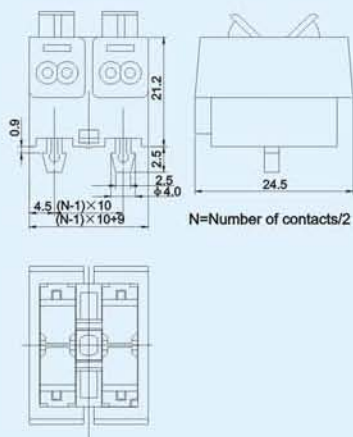
额定电压: 400V
额定电流: 24A
接触电阻: 20mΩ
绝缘电阻: 5000MΩ /DC1000V
耐电压 : AC2500/1Min
使用线径: 22-14AWG 2.5mm²

● **机械性能**

温度范围: -40°C~+105°C
剥线长度: 7-7.5mm



DG239-10.0



Pitch:10.0mm;Poles:2P,3P

● **Material**

Contact : Brass
Housing : PA66, UL94V-0

● **Electrical**

Rated voltage : 400V
Rated current : 15A
Contact resistance : 20m Ω
Insulation resistance : 5000M Ω /DC1000V
Withstanding voltage: AC2500/1Min
Withstanding voltage: 22-18AWG 1.0mm²

● **Mechanical**

Temp.Range : -40°C~+105°C
Strip length : 7-7.5mm

● **材质及电镀**

触点材料: 黄铜
塑件 : PA66, UL94V-0

● **电气性能**

额定电压 : 400V
额定电流 : 15A
接触电阻 : 20m Ω
绝缘电阻 : 5000M Ω /DC1000V
耐电压 : AC2500/1Min
使用线径 : 22-18AWG 1.0mm²

● **机械性能**

温度范围 : -40°C~+105°C
剥线长度 : 7-7.5mm